

## 3 Pole On-Load Switch

**IP65 metal enclosure as standard with door interlocked pad lockable handle suitable for indoor installation.**

**Enclosed ratings: 20A - 630A**

Designed to IEC/BSEN 947-3 to meet the requirement of the Wiring Regulations Amd. 3 BS7671 Clause 537.1.1 Table 53.4<sup>(3)</sup>



### Features

- 3 Poles + Neutral Link
- 3 Incoming Supply Shrouds
- IP65 Enclosure as standard
- Gland Plates top and bottom
- Extra room for cables
- Switches and Enclosures manufactured in Europe
- Assembled in the UK



**Spreader Kits and auxiliary contacts are available as accessories.**

See following page

Column "X" in the table refers to Cable Spacing in 'mm' top and bottom of the enclosure. See illustration on following page.

SWITCH RATINGS @ 35 ° C with specified cable csa (70 ° C)							
Description	AC22A	Dimensions (mm)			"X"	Cable csa mm <sup>2</sup>	Reference
		H	W	D			
3P+N	20 Amp	305	205	150	116	4	AS-3020
3P+N	32 Amp	305	205	150	116	6	AS-3032
3P+N	63 Amp	305	305	150	104	16	AS-3063
3P+N	100 Amp	405	305	150	150	35	AS-3100
3P+N	160 Amp	505	405	250	175	70	AS-3160
3P+N	200 Amp	505	405	250	175	95	AS-3200
3P+N	250 Amp	505	405	250	175	120	AS-3250
3P+N	400 Amp	505	405	250	158	240	AS-3400
3P+N	630 Amp	605	405	250	175	2 x 180	AS-3630

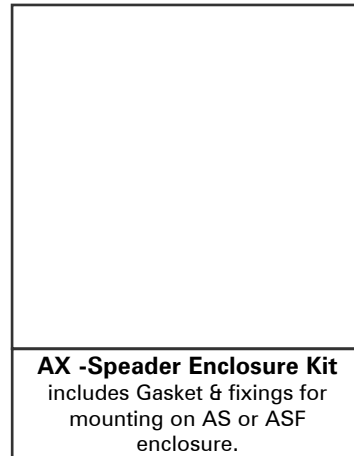
See page 47 for detailed specifications.

## 3 Pole Switch-Fuse

**IP65 metal enclosure as standard, fuse links and door interlocked pad-lockable handle suitable for indoor installation.**

**Enclosed ratings: 20A - 630A**

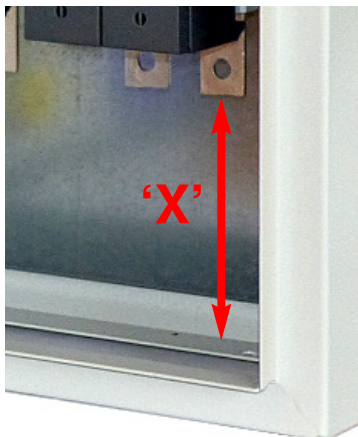
<b>SWITCH RATINGS @ 35 ° C</b> with specified cable csa (70° C)						
Description AC22A	Dimensions (mm)			"X"	Cable csa mm <sup>2</sup>	Reference
	H	W	D			
3P+N 20 Amp	305	205	150	100	2.5	ASF-3020
3P+N 32 Amp	305	205	150	88	6	ASF-3032
3P+N 63 Amp	405	305	150	138	16	ASF-3063
3P+N 100 Amp	405	305	150	130	50	ASF-3100
3P+N 160 Amp	505	405	250	180	70	ASF-3160
3P+N 200 Amp	605	405	250	200	95	ASF-3200
3P+N 250 Amp	605	405	250	200	120	ASF-3250
3P+N 400 Amp	605	405	250	185	240	ASF-3400
3P+N 630 Amp	805	605	300	247	2 x185	ASF-3630



See page 45 for detailed specifications.

**Column "X"** in the table refers to Cable Spacing in 'mm' top and bottom of the enclosure. See illustrations below.

<b>Spreader Kit for AS-3 &amp; ASF-3</b>				
Reference	Dimensions (mm)			Suitable for
	H	W	D	
AX-02	505	405	250	AS/ASF 160-400A, AS-3630
AX-04	805	605	300	ASF-630



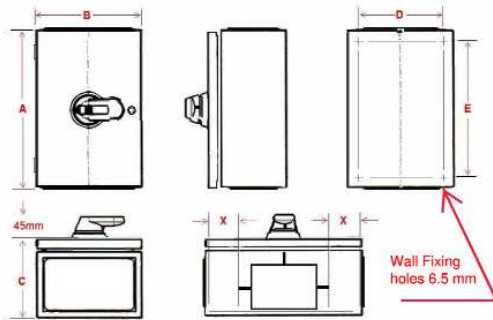
<b>Auxiliary Contacts</b>		
Description	Reference	Suitable for
1 N/O Auxiliary	OA1G10	AS-3020 to AS-3630 & ASF-3032 to ASF-3630
1 N/O Auxiliary	OA4B10	ASF-3020

Circuit Protection

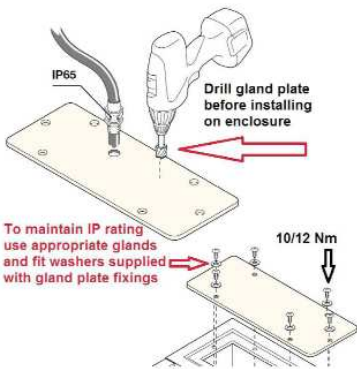
# TECHNICAL SPECIFICATIONS

## Switchgear (Isolators & Switchfuses)

### Technical Data



AS- Enclosed Switch		Dimensions mm			Wall Mounting		Weight	Dimension
Rating	Product Reference	A	B	C	D	E	kg	X "internal"
20A	AS - 3020	305	205	150	163	263	< 5	116
32A	AS - 3032	305	205	150	163	263	< 5	116
63A	AS - 3063	305	305	150	263	263	< 6	104
100A	AS - 3100	405	305	150	263	363	< 8	150
160A	AS - 3160	505	405	250	363	463	< 15	175
200A	AS - 3200	505	405	250	363	463	< 15	175
250A	AS - 3250	505	405	250	363	463	< 15	175
400A	AS - 3400	505	405	250	363	463	< 16	158
630A	AS - 3630	605	405	250	363	563	< 21	175



ASF- Enclosed Switch Fuse		Dimensions mm			Wall Mounting		Weight	Dimension
Rating	Product Reference	A	B	C	D	E	kg	X "internal"
20A	ASF - 3020	305	305	150	263	263	< 5	100
32A	ASF - 3032	305	305	150	263	263	< 7	88
63A	ASF - 3063	405	305	150	263	363	< 10	138
100A	ASF - 3100	405	305	150	263	363	< 10	130
160A	ASF - 3160	505	405	250	363	463	< 14	180
200A	ASF - 3200	605	405	250	363	563	< 18	200
250A	ASF - 3520	605	405	250	363	563	< 20	200
400A	ASF - 3400	605	405	250	363	563	< 24	185
630A	ASF - 3630	805	605	300	563	763	< 58	247

Switch Ratings @ 35°C Ambient with minimum cable size*							Maximum size upstream fuse link @ 50kA		
Reference	AC22A	AC23A	Min*	Max.	Fixing	Torque	415V	Type G	Ip kA
AS-3020	20	20	4	10	Clamp	0.8	50kA	20A	6.5
AS-3032	32	23	6	10	Clamp	0.8	50kA	32A	6.5
AS-3063	63	63	16	35	Clamp	2	50kA	63A	13
AS-3100	100	80	35	70	Clamp	6	50kA	100A	16.5
AS-3160	160	135	70	Lug < 20 mm	M8 x 25	15 -22	50kA	160A	24
AS-3200	200	200	95	Lug < 20 mm	M8 x 25	15 -22	50kA	200A	35
AS-3250	250	250	120	Lug < 20 mm	M8 x 25	15 -22	50kA	250A	35
AS-3400	400	400	240	Lug < 25 mm	M10 x 30	30 - 44	50kA	400A	50.5
AS-3630	630	630	2 x 185	Lug < 39 mm	M12 x 40	50 - 75	50kA	630A	71.5

Switch Ratings @ 35°C Ambient with minimum cable size*							Enclosed rating and Icc based on fuse links provided			
Product Reference	In @ 415V	Cable c.s.a mm <sup>2</sup> / Terminal Capacity					Icc @ 415V	Fuse Link		Fixing
	AC22A	AC23A	Min*	Max.	Fixing	Torque		ABB Ref.	Fuse / Max. Power	Torque
ASF-3020	20	20	2.5	10	Clamp	2	80kA	OFFNA1GG20	gG, A1 / < 3.5 W	2
ASF-3032	32	23	6	25	Clamp	3.5	80kA	OFFNA2GG32	gG, A2 / < 7.5 W	2
ASF-3063	63	63	16	25	Clamp	2	80kA	OFFNA3GG63	gG, A3 / < 7.5 W	3.5
ASF-3100	100	100	50	Lug < 20 mm	M8 x 25	15 -22	80kA	OFFNA4GG100	gG, A4 / < 12 W	3.5
ASF-3160	160	160	70	Lug < 20 mm	M8 x 25	15 -22	80kA	OFFNA4GG160	gG, A4 / < 12 W	5
ASF-3200	200	200	95	Lug < 20 mm	M8 x 25	15 -22	80kA	OFFNB2GG200	gG, B2 / < 15 W	5
ASF-3250	250	250	120	Lug < 25 mm	M10 x 30	30 - 44	80kA	OFFNB3GG250	gG, B3 / < 20 W	5
ASF-3400	400	400	240	Lug < 25 mm	M10 x 30	30 - 44	80kA	OFFNB4GG400	gG, B4 / < 30 W	20
ASF-3630	630	630	2 x 185	Lug < 39 mm	M12 x 40	50 - 75	80kA	OFFNC2GG630	gG, C2 / < 55 W	40

Rating	Set of 3 Shrouds
AS-3160	OTS250G1S/3
AS-3200	OTS250G1S/3
AS-3250	OTS250G1S/3
AS-3400	OTS400G1S/3
AS-3630	OTS800G1S/3

Rating	Set of 3 Shrouds
ASF-3100	OSS160GG1S/3
ASF-3160	OSS160GG1S/3
ASF-3200	OSS200GG1S/3
ASF-3250	OSS250GG1S/3
ASF-3400	OSS400GG1S/3
ASF-3630	OSS800GG1S/3