

Enclosed IP65 Metal Switchfuses & Switches

3 and 4 Pole

- Ratings < 630A
- Accessories
- Spreader enclosure kits

www-Doepke.co.uk



Enclosed Switch-fuses

- ✓ 3 switched poles* + BS 88 fuse links + Neutral link (unswitched)
- ✓ 4 switched poles* + BS 88 fuse links + copper link (switched)

Enclosed Switches

- ✓ 3 switched poles* + Neutral link (unswitched)
- ✓ 4 switched poles*

*Note

Regulation 537.1.1 Note 1

Table 537.4(3) Suitable for on-load switching and isolation in TN-C-S and TN-S systems meeting the requirements of Regulation 461.2

- ✓ - Ratings up to 630A
- ✓ - Padlockable handle
- ✓ - Indoor Installation
- ✓ - IP65 Steel Enclosure
- ✓ - Door Interlocked
- ✓ - Gland Plate Entry
- ✓ - UK Assembly

Switch supplied with incoming terminal shrouds.
If you require additional terminal shrouds, please order separately.
Refer to the Accessories tab.



Product Standard: EN60947-3

3 Pole Enclosed Switch-Fuses			
Ratings @ 35° C for Cable < 70° C and CSA*			
Refer to Technical Data for additional information			
Poles	AC22A Amps	Cable csa mm ²	Reference
3	20	2.5	ASF-3020
3	32	6	ASF-3032
3	63	16	ASF-3063
3	100	50	ASF-3100
3	160	70	ASF-3160
3	200	95	ASF-3200
3	250	120	ASF-3250
3	400	240	ASF-3400
3	630	2 x 185	ASF-3630

3 Pole Enclosed Switches			
Ratings @ 35° C for Cable < 70° C and CSA*			
Refer to Technical Data for additional information			
Poles	AC22A Amps	Cable csa mm ²	Reference
3	20	4	AS-3020
3	32	6	AS-3032
3	63	16	AS-3063
3	100	35	AS-3100
3	160	70	AS-3160
3	200	95	AS-3200
3	250	120	AS-3250
3	400	240	AS-3400
3	630	2 x 185	AS-3630

4 Pole Enclosed Switch-Fuses				
Ratings @ 35° C for Cable < 70° C and CSA*				
Refer to Technical Data for additional information				
Poles	AC22A Amps	Cable csa mm ²	Reference	Neutral Pole Position
4	63	16	ASF-4063	On the Left
4	100	50	ASF-4100	On the Left
4	160	70	ASF-4160	On the Left
4	200	95	ASF-4200	On the Right
4	250	120	ASF-4250	On the Right
4	400	240	ASF-4400	On the Right
4	630	2 x 185	ASF-4630	On the Right

*The position of the neutral pole cannot be changed
The neutral pole copper link must not be replaced with a fuse link*

4 Pole Enclosed Switches				
Ratings @ 35° C for Cable < 70° C and CSA*				
Refer to Technical Data for additional information				
Poles	AC22A Amps	Cable csa mm ²	Reference	Neutral Pole Position
4	100	50	AS-4100	On the Left
4	160	70	AS-4160	On the Left
4	200	95	AS-4200	On the Left
4	250	120	AS-4250	On the Left
4	400	240	AS-4400	On the Left
4	630	2 x 185	AS-4630	On the Left

The position of the neutral pole cannot be changed

*** Note:**

The cable csa above is based on the requirements of 60947-3 - maximum conductor temperature 70° C.
Refer to regulation 523 Current carrying capacity requirements for cables.

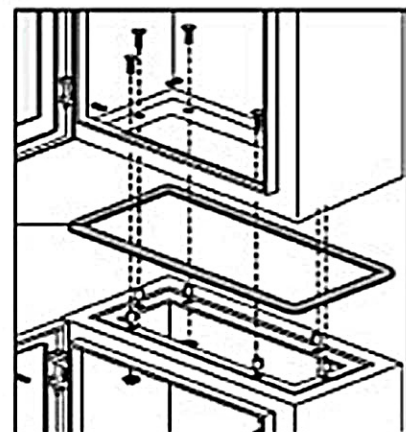
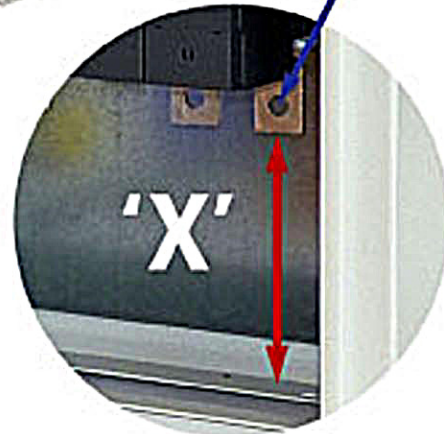
Accessories for ASF & AS:

- ✓ Spreader Enclosure Kits
- ✓ Terminal Shrouds
- ✓ Auxiliary Contacts

Do you need an AX spreader enclosure kit?
Dimension **X** in the table below refers to the cabling space between the terminals and the gland plates - top and bottom of the enclosure:

ASF...		Dimensions (mm)			
Reference	H	W	D	X	
ASF 20A	305	205	150	100	
ASF 32A	305	205	150	88	
ASF 63A	405	305	150	138	
ASF 100A	405	305	150	130	
ASF 160A	505	405	250	180	
ASF 200A	605	405	250	200	
ASF 250A	605	405	250	200	
ASF 400A	605	405 <td 250	185		
ASF 630A	805	605	300	247	

AS...		Dimensions (mm)			
Reference	H	W	D	X	
AS 20A	305	205	150	116	
AS 32A	305	205	150	116	
AS 63A	305	305	150	104	
AS 100A	405	305	150	150	
AS 160A	505	405	250	175	
AS 200A	605	405	250	175	
AS 250A	605	405	250	175	
AS 400A	605	405	250	158	
AS 630A	605	405	250	175	



Spreader Kit for ASF... & AS...				
Reference	Dimensions (mm)			Suitable for
	H	W	D	
AX-02	505	405	250	AS/ASF 160-400A, AS-630A
AX-04	805	605	300	ASF-630A

AX-Spreader Enclosure Kit includes gasket & fixings for mounting on AS or ASF enclosures.

**Set of 3 Terminal shrouds*
for ASF-3 & AS-3**

Rating	Reference
ASF-3100	OSS160GG1S/3
ASF-3160	OSS160GG1S/3
ASF-3200	OSS200GG1S/3
ASF-3250	OSS250GG1S/3
ASF-3400	OSS400GG1S/3
ASF-3630	OSS800GG1S/3

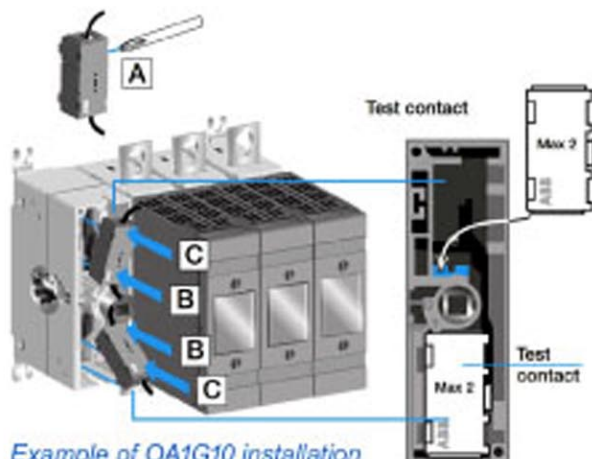
Rating	Reference
AS-3160	OTS250GG1S/3
AS-3200	OTS250GG1S/3
AS-3250	OTS250GG1S/3
AS-3400	OTS400GG1S/3
AS-3630	OTS800GG1S/3

*To order a set of 4 pole Terminal shrouds replace the 3 in the above reference with a 4 e.g. OSS160GG1S/4, OTS250GG1S/4



Auxiliary Contacts for ASF & AS

Reference	Description	Suitable for
OA1G10	1 N/O	AS-20A to AS-630A & ASF-32A to ASF-630A
OA4B10	1 N/O	ASF-20A



Example of OA1G10 installation



UK Technical Data 01
ASF - * Enclosed switch-fuses**
 Rating AC22A 20 A < 630A 415v AC



Function

Available as 3 switched poles + neutral link (unswitched) or 3 pole + switched neutral pole enclosed switch-fuses for main incoming distribution supplies and branch feeder circuits. Regulation 537.1 .1 Note 1 Table 537.4 (3) Suitable for on-load switching and isolation in TN-C-S and TN-S systems meeting the requirements of Regulation 461.2.

Features

Steel IP65 enclosure for indoor installation, gland plates top and bottom, padlockable door interlocked handle, supplied complete with three BS88 gG fuse links and three incoming terminal shrouds. Solid N link or switched N link.

Mounting

Wall mounting in the vertical plane, cable entry top and bottom, to allow for correct cabling i.e. minimum cable bend radii.

Applications

Rated AC 22A for on-load switching of general distribution circuits. For switching AC23 loads refer to additional ratings given in the data sheet. These switches are rated for use with 70°C copper cables in ambients up to 35°C .

Notes

Switches are supplied complete with incoming terminal shrouds. Additional shrouds can be ordered as required please refer to the accessories page. Enclosures should be locked at all times - Access only by suitably instructed personnel trained to work on or near live equipment wearing the appropriate PPE.

Accessories

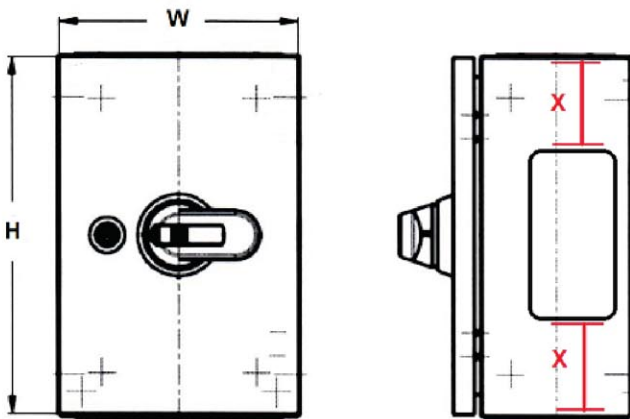
AX- spreader enclosures,Auxiliary switches, Terminal shrouds.

Technical Data

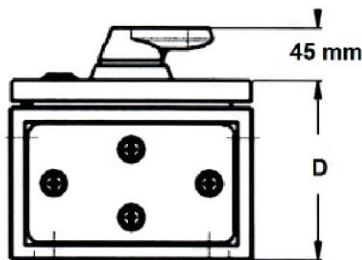
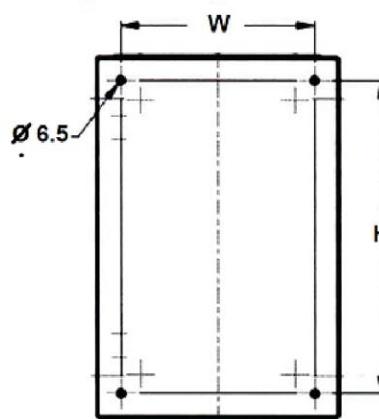
Technical Data	ASF-*** switch fuse									
ASF - *** References	020	032	063	100	160	200	250	400	630	
AC22A rating in Amps	20	32	63	100	160	200	250	400	630	
AC23A rating in Amps	20	23	63	100	160	200	250	400	630	
Min. Cable CSA @ 35 °C in mm ²	2.5	6	16	50	70	95	120	240	2 x 185	
Max. Cable CSA in mm ²	10	25	25	Lug <20 mm	<20 mm	<20 mm	<25 mm	<25 mm	<35 mm	
Cable fixing (clamp or bolt)	clamp	clamp	clamp	M8x25	M8x25	M8x25	M10x30	M10x30	M12x40	
Tightening torque Nm	2	3.5	3.5	15 -22	15 -22	15 -22	30 - 44	30 - 44	50 - 75	
Fuse Link Bussmann / 80 kA 415V	NITD20	AAO32	BAO63	CEO100	DEO160	DD200	ED250	ED400	FF630	
Fuse Link Tightening Torque Nm	2	2	3.5	3.5	5	5	5	20	40	
4 Pole units - Neutral position	NA	NA	Left	Left	Left	Right	Right	Right	Right	
Rated voltage (AC)	415 V									
Rated frequency (AC)	50 Hz/60 Hz									
Design requirements/Standards	EN 60947-3									

Technical Data		ASF-***					
IP Rating for internal installation	Enclosure IP 65						
Enclosure material	Powder coated Steel						
Mounting	Enclosure size			Wall fixing centers (fixing holes 6.5 mm)			
Dimensions in mm	H	W	D	X	H	W	Wgt. kg
20A	305	305	150	100	263	263	< 5
32A	305	305	150	88	263	263	< 7
63A	405	305	150	138	363	263	< 10
100A	405	305	150	130	363	263	< 10
160A	505	405	250	180	463	363	< 14
200A	605	405	250	200	563	363	< 18
250A	605	405	250	200	563	363	< 20
400A	605	405	250	185	563	363	< 24
630A	805	605	300	247	763	563	< 58

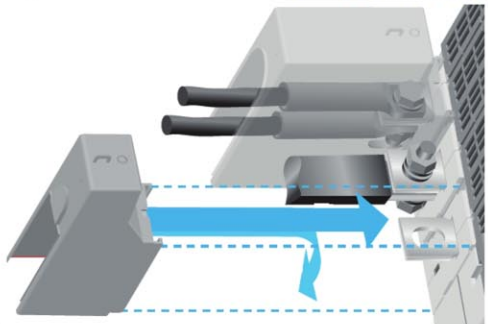
Dimensions



Fixing

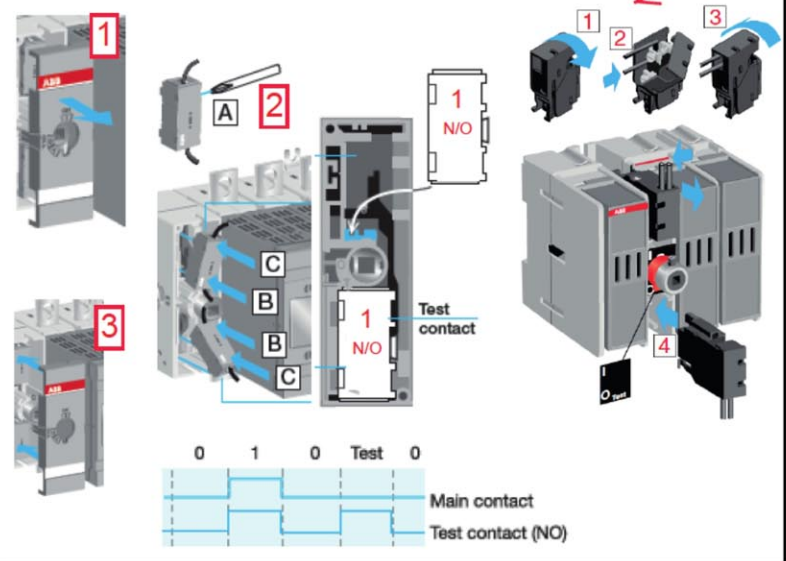


ASF Rating	3 P. Shrouds	4 P. Shrouds
100A	OSS160GG1S/3	OSS160GG1S/4
160A	OSS160GG1S/3	OSS160GG1S/4
200A	OSS200GG1S/3	OSS200GG1S/4
250A	OSS250GG1S/3	OSS250GG1S/4
400A	OSS400GG1S/3	OSS400GG1S/4
630A	OSS800GG1S/3	OSS800GG1S/4



Installing auxiliary contact OA1G10 (1 N/O)
 ASF-*032 to ASF-*630
 Maximum of 2 auxiliary blocks per switch

OA4B10 on
 ASF 020





UK Technical Data o2

AS - *** Enclosed switches

Rating AC22A 20 A < 630A 415V AC



Function

3 switched poles + N link (unswitched) or 3 pole + switched N; enclosed switches for main incoming distribution supplies and branch feeder circuits. Regulation 537.1 .1 Note 1 Table 537.4 (3) Suitable for on-load switching and isolation in TN-C-S and TN-S systems meeting the requirements of Regulation 461.2

Features

Steel IP65 enclosure for indoor installation, gland plates top and bottom, padlockable door interlocked handle, supplied complete with incoming terminal shrouds. N Link and N Pole located on left hand side of switch.

Mounting

Wall mounting in the vertical plane, cable entry top and bottom, to allow for correct cabling i.e. minimum cable bend radii

Applications

Rated AC 22A for on-load switching of general distribution circuits. For switching AC23 loads refer to additional ratings given in the data sheet. These switches are rated for use with 70°C copper cables in ambients up to 35°C .

Notes

Switches are supplied complete with incoming terminal shrouds. Additional shrouds can be ordered as required please refer to the accessories page. Enclosures should be locked at all times - Access only by suitably instructed personnel trained to work on or near live equipment wearing the appropriate PPE.

Accessories

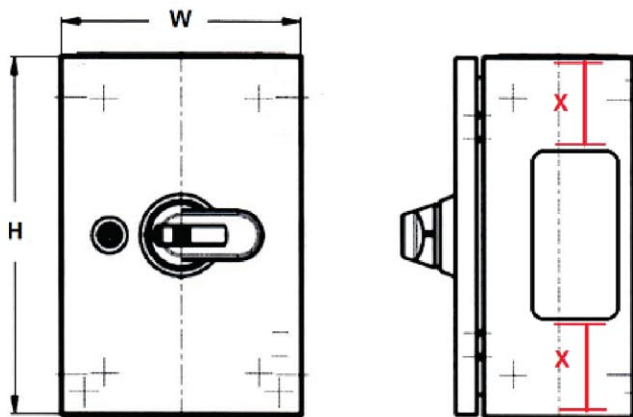
AX- spreader enclosures,Auxiliary switches, Terminal shrouds.

Technical Data

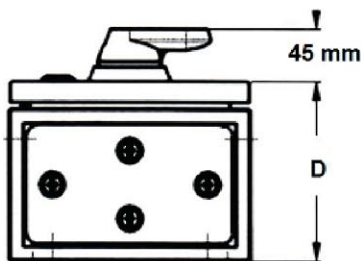
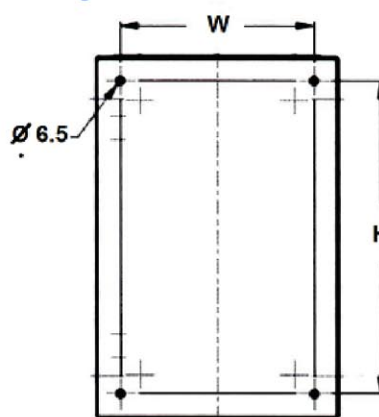
Technical Data	AS- *** switch									
AS - *** References	020	032	063	100	160	200	250	400	630	
AC22A rating in Amps	20	32	63	100	160	200	250	400	630	
AC23A rating in Amps	20	23	63	80	135	200	250	400	630	
Min. Cable CSA @ 35 °C in mm ²	4	6	16	35	70	95	120	240	2 x 185	
Max. Cable CSA in mm ²	10	10	35	70	Width of lug <20 mm / M8			<25 mm	<39 mm	
Cable fixing (clamp or bolt)	clamp	clamp	clamp	clamp	M8x25	M8x25	M8x25	M10x30	M12x40	
Tightening torque Nm	0.8	0.8	2	6	15-22	15-22	15-22	30-44	50-75	
Max. Upstream FL gG / 50 kA 415V	20A	32A	63A	100A	160A	200A	250A	400A	630A	
Fuse link maximum I peak in kA	6.5	6.5	13	16.5	24	35	35	50.5	71.5	
Rated voltage (AC)	415 V									
Rated frequency (AC)	50 Hz/60 Hz									
Design requirements/Standards	EN 60947-3									

Technical Data		AS- *** Enclosure					
IP Rating for internal installation	IP 65						
Enclosure material	Powder coated Steel						
Mounting	Enclosure size			Wall fixing centers (fixing holes 6.5 mm)			
Dimensions in mm	H	W	D	X	H	W	Wgt. kg
20A	305	205	150	116	263	163	< 5
32A	305	205	150	116	263	163	< 5
63A	305	305	150	104	263	263	< 6
100A	405	305	150	150	363	263	< 8
160A	505	405	250	175	463	363	< 15
200A	505	405	250	175	463	363	< 15
250A	505	405	250	175	463	363	< 15
400A	505	405	250	158	463	363	< 16
630A	605	405	250	175	563	363	< 21

Dimensions

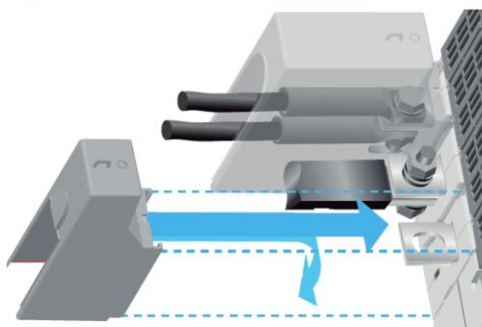


Fixing



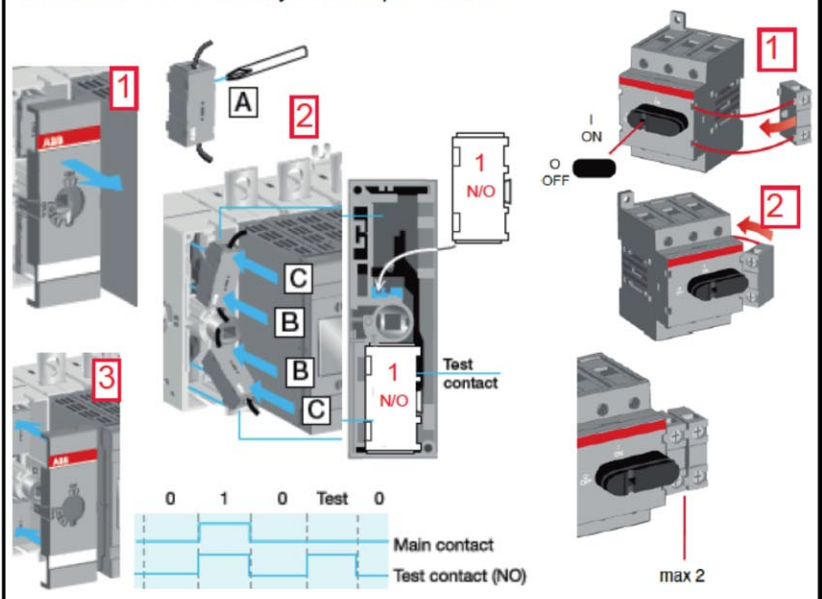
AS Rating 3 P. shrouds 4 P. shrouds

160A	OTS250G1S/3	OTS250G1S/4
200A	OTS250G1S/3	OTS250G1S/4
250A	OTS250G1S/3	OTS250G1S/4
400A	OTS400G1S/3	OTS400G1S/4
630A	OTS800G1S/3	OTS800G1S/4



Installing auxiliary contact OA1G10 (1 N/O)
AS- 160 to AS- 630
Maximum of 2 auxiliary blocks per switch

AS- 020 to AS- 100



Doepke

Doepke UK Ltd
3 Royal Oak Ind. Est. Daventry,
England NN11 8QH

@ — sales@doepke.co.uk
T — +44 (0)1628 829 133

www — doepke.co.uk