



UK Technical Data 01
ASF -3 * Enclosed switch-fuses**
 Rating AC22A 20 A < 630A 415V AC



Function

3 switched poles + N link (unswitched) enclosed switch-fuses for main incoming distribution supplies and branch feeder circuits. Regulation 537.1 .1 Note 1 Table 537.4 (3) Suitable for on-load switching and isolation in TN-C-S and TN-S systems meeting the requirements of Regulation 461.2

Features

Steel IP65 enclosure for indoor installation, gland plates top and bottom, padlockable door interlocked handle, supplied complete with three BS88 gG fuse links and three incoming terminal shrouds. Solid N link.

Mounting

Wall mounting in the vertical plane, cable entry top and bottom, to allow for correct cabling i.e. minimum cable bend radii

Applications

Rated AC 22A for on-load switching of general distribution circuits. For switching AC23 loads refer to additional ratings given in the data sheet. These switches are rated for use with 70°C copper cables in ambients up to 35°C .

Notes

Switches are supplied complete with 3 incoming terminal shrouds. Additional shrouds can be ordered as required please refer to the accessories page. Enclosures should be locked at all times - Access only by suitably instructed personnel trained to work on or near live equipment wearing the appropriate PPE.

Accessories

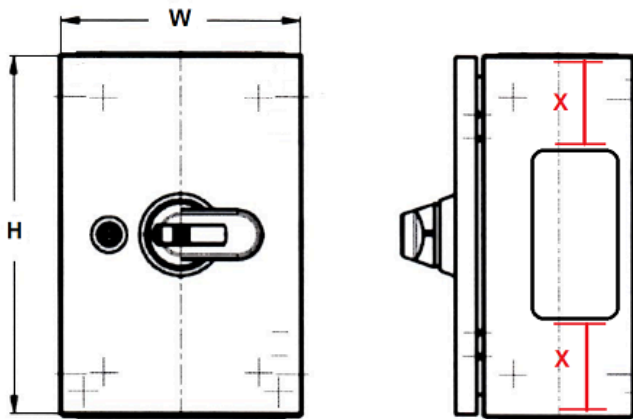
AX- spreader enclosures, Auxiliary switches, Terminal shrouds.

Technical Data

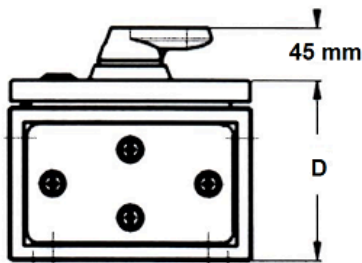
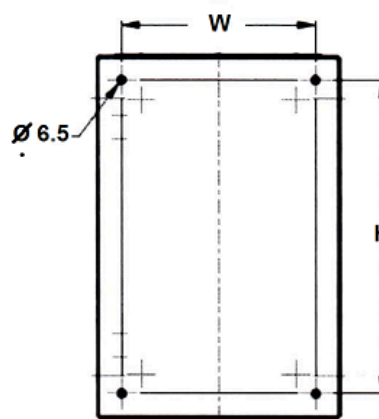
Technical Data	ASF-3*** switch fuse									
ASF -3 *** References	020	032	063	100	160	200	250	400	630	
AC22A rating in Amps	20	32	63	100	160	200	250	400	630	
AC23A rating in Amps	20	23	63	100	160	200	250	400	630	
Min. Cable CSA @ 35 °C in mm ²	2.5	6	16	50	70	95	120	240	2 x 185	
Max. Cable CSA in mm ²	10	25	25	Lug <20 mm	<20 mm	<20 mm	<25 mm	<25 mm	<35 mm	
Cable fixing (clamp or bolt)	clamp	clamp	clamp	M8x25	M8x25	M8x25	M10x30	M10x30	M12x40	
Tightening torque Nm	2	3.5	3.5	15 -22	15 -22	15 -22	30 - 44	30 - 44	50 - 75	
Fuse Link Bussmann / 80 kA 415V	NITD20	AAO32	BAO63	CEO100	DEO160	DD200	ED250	ED400	FF630	
Fuse Link Tightening Torque Nm	2	2	3.5	3.5	5	5	5	20	40	
Rated voltage (AC)	415 V									
Rated frequency (AC)	50 Hz/60 Hz									
Design requirements/Standards	EN 60947-3									

Technical Data		ASF-3*** Enclosure					
IP Rating for internal installation	IP 65						
Enclosure material	Powder coated Steel						
Mounting	Enclosure size			Wall fixing centers (fixing holes 6.5 mm)			
Dimensions in mm	H	W	D	X	H	W	Wgt. kg
20A	305	305	150	100	263	263	< 5
32A	305	305	150	88	263	263	< 7
63A	405	305	150	138	363	263	< 10
100A	405	305	150	130	363	263	< 10
160A	505	405	250	180	463	363	< 14
200A	605	405	250	200	563	363	< 18
250A	605	405	250	200	563	363	< 20
400A	605	405	250	185	563	363	< 24
630A	805	605	300	247	763	563	< 58

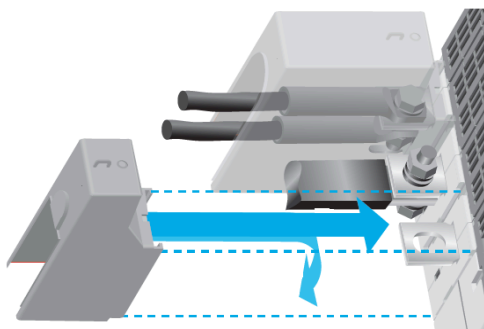
Dimensions



Fixing



ASF Rating	Set of 3 Terminal shrouds
100A	OSS160GG1S/3
160A	OSS160GG1S/3
200A	OSS200GG1S/3
250A	OSS250GG1S/3
400A	OSS400GG1S/3
630A	OSS800GG1S/3



Installing auxiliary contact OA1G10 (1 N/O)
 ASF-3032 to ASF-3630
 Maximum of 2 auxiliary blocks per switch

OA4B10
 ASF-3020

0 1 0 Test 0

Main contact
 Test contact (NO)